

# Display "Classic"

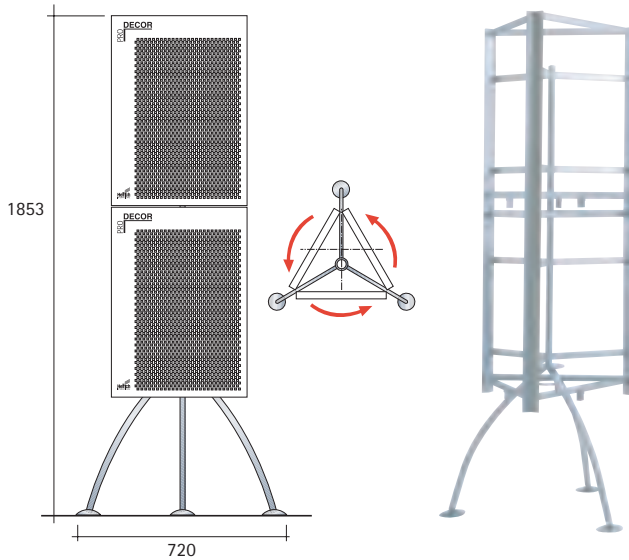
Being able to hold and feel a handle achieves more than a thousand words. Displays invite customers to reach out and touch in showrooms and at exhibitions.

Removed from their hooks, the panels are mobile. This way, they always make a powerful impact, whether in talks around an item of furniture, at the discussion table or on location at the customer's premises.



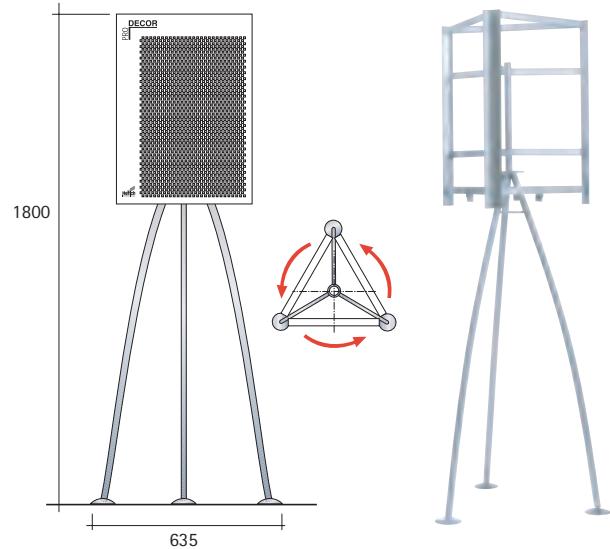
**Display-Stand "Classic" for 6 display panels**  
 rotatable 360°  
 Finish: grey

1  
010 304



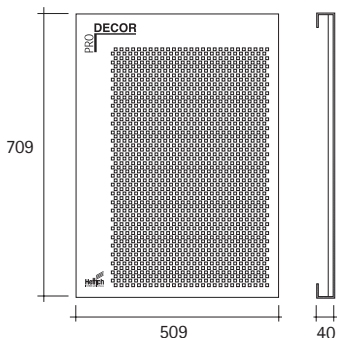
**Display-Stand "Classic" for 3 display panels**  
 rotatable 360°  
 Finish: grey

1  
010 305



**Display panel for Display-Stand "Classic"**  
 Perforations in a 32 grid for easy planning of attractive, individual displays.  
 Perforated steel plate, white

1  
072 117



**Table-display "Classic"**  
 Perforations in a 32 grid for easy planning of attractive, individual displays.  
 Perforated steel plate, white

1  
010 306

