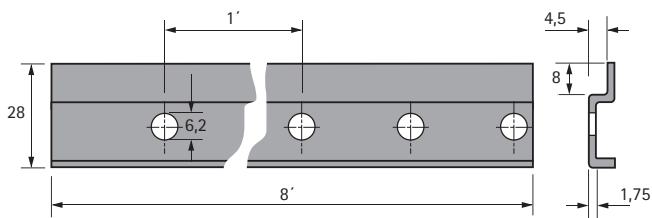
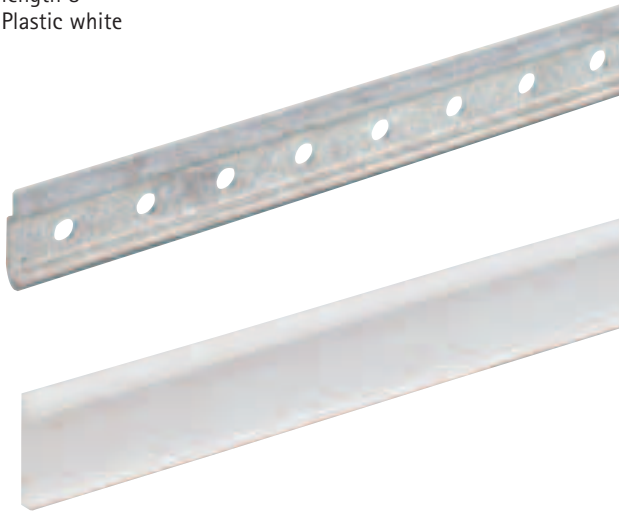


Fixing rail

Fixing rail Type B

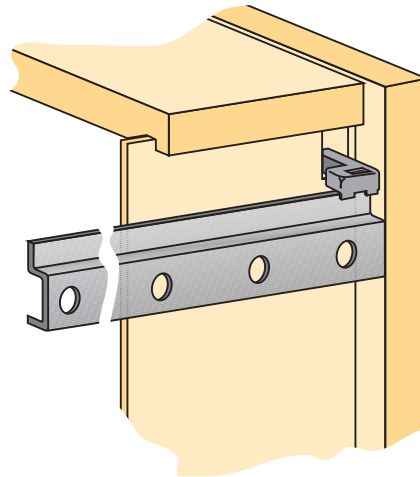
length 8'
cut length available on request
Steel electro plated
Packing: = 25 pieces, per case
(length approx. 8' each)

Rail cover
length 8'
Plastic white



Article	Finish	Order no.	PU
Fixing rail Type B	electro plated	052 118	25
Rail cover	white	052 119	50

Cut out for
hanging rail
between cabinets



Loading Capacity for Cabinet Suspension Brackets and Accessories

Please observe the following when using cabinet suspension brackets and accessories.

1. We, as a hardware manufacturer, have no influence in regard to material and/or manufacturing quality of cabinets.
2. We also have no influence in regard to wall materials onto which cabinets are hung.
3. The hooks and dowels offered are determined for use in brick, concrete or similar materials. The material requires an 8 mm \varnothing hole into which the dowel is knocked in flush. The minimal screw-in depth of the hook is equal to the hook length minus 10 mm.
4. For application into other materials we recommended use of special fixing dowels/screws/hooks available locally.
5. Hanging wall cabinets with more than 1 m² total shelving (shelf, top- and bottom panel); fixing in conjunction with rails are recommended. These should be screwed down with at least 4 special screws.