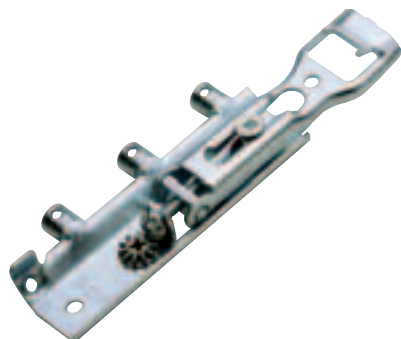


Cabinet suspension bracket SAH 215



Concealed steel cabinet suspension bracket

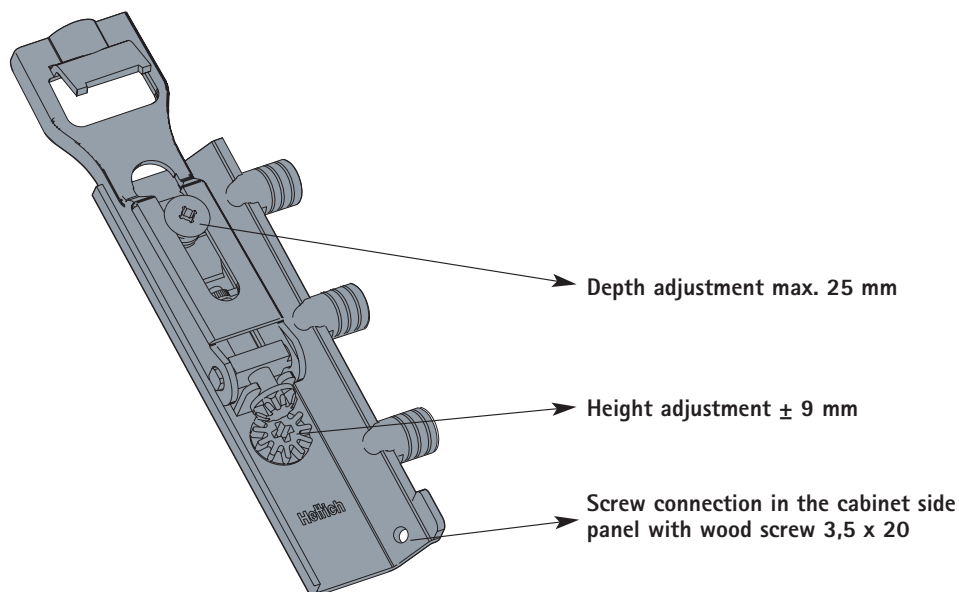
- For rail and hook suspension
- **Loading capacity 140 lbs (65 kg)/piece**
- Mounted by 3 pins into the side panel, additional screw connection is also possible
- Suitable for back panel recess measuring at least 16 mm
- Quick, convenient **height adjustment** through a **sturdy adjustment screw and gear: ± 9 mm**
- **Depth adjustment: max. 25 mm**
- **Lateral adjustment ± 3 mm** if **hook suspension** is used
- Adjustment screws are secured against unintentional removal
- Lift-off height: 7,5 mm
- **Hook suspension:** the closed form of the hook prevents the cabinet from slipping off.
- Can be used with **suspension rail Type B** – see **page 198**
- Steel, zinc-plated – fully recyclable



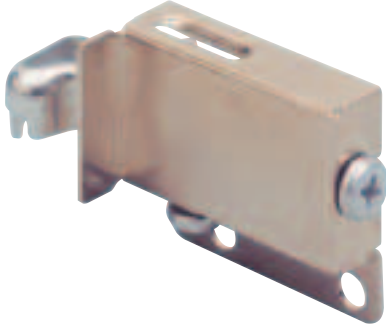
Cabinet suspension brackets

Article	Order no.	PU
SAH 215	079 716	25 sets

1 set = 1 left and 1 right cabinet suspension bracket



Cabinet suspension bracket SAH 116 S



Cabinet suspension bracket SAH 116 S

SAH 116 S, screw-on version

Combi hook for rail and hook suspension

Loading capacity 140 lbs (65 kg) / piece

- Adjustment possibilities

Height: ± 7 mm

Depth: 15 mm

Lateral adjustment ± 3 mm if hook suspension is used

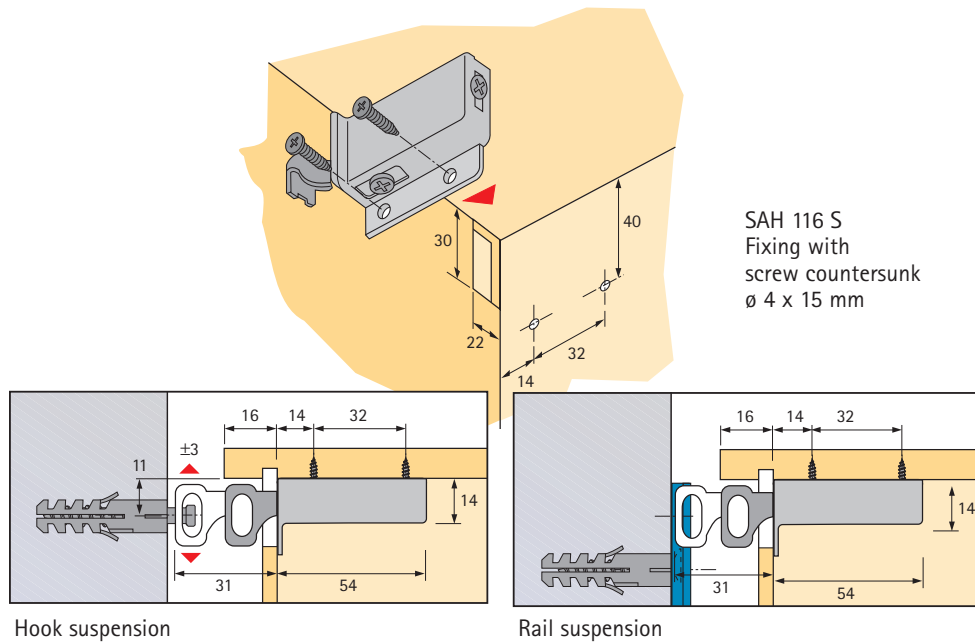
- Can be used with **suspension rail** - see page 198

- **Hook suspension:** the closed form of the hook prevents the cabinet from slipping off

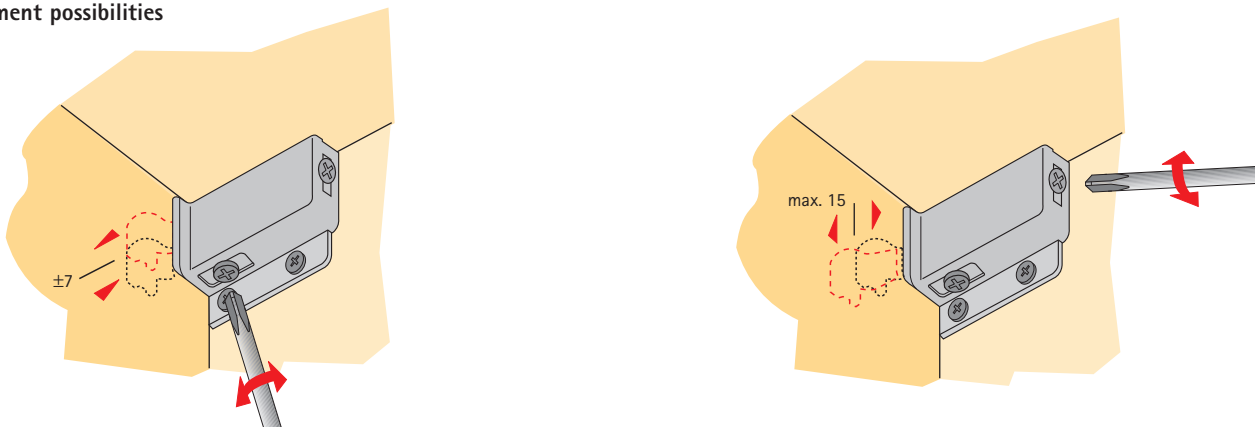
Article	Finish	Order no.		PU
		left	right	
SAH 116 S	steel nickel-plated	1019 600	1019 599	100
	steel white	1019 619	1019 618	100

Rear panel: rear wall set back
resp. groove depth min. 16 mm

Mounting



Adjustment possibilities



Accessories for cabinet suspension brackets – see page 198

Guidelines for the load-bearing capacity of cabinet suspension brackets – see page 198