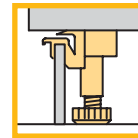


Height adjustable leg

Korrekt

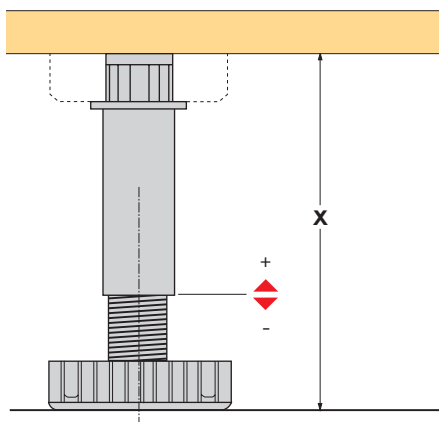
Load-bearing capacity 990 lbs (450 kg) / each



Korrekt

..the height adjustable leg with several assembly advantages

- A perfect combination of block, leg and plinth fixing
- Ensures that the leg is securely held in place during the mounting and moving of the cabinet
- Wide foot, diameter 80 mm
- Height adjustment plus/minus is easy to operate, either manually or by using a screwdriver
- Runner clip for plinth drawers for plinth height 150 mm
- Load-bearing capacity 990 lbs (450 kg) / each
- black plastic



Article	Plinth height Size X mm	Range of adjustment from - to mm	Footprint ø mm	Order no.	PU
Height adjustable leg	80 -6/+30	74 - 110	80	070 151	200
Korrekt	100 -11/+25	89 - 125	80	061 851	100
	150 -50/+10	100 - 160	80	020 018	100



Height adjustment, manual



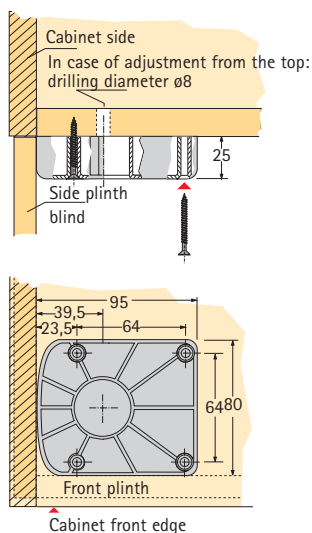
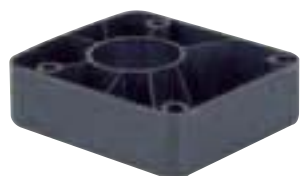
Height adjustment, from the front, with a screwdriver



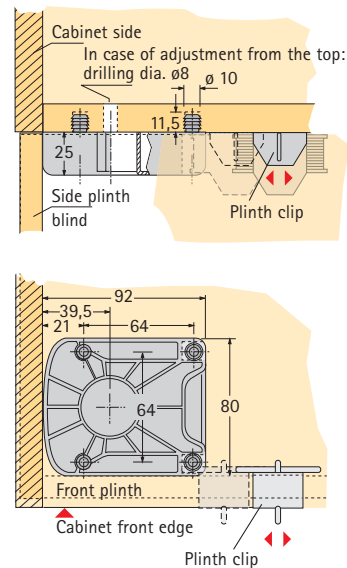
Height adjustment, from the top, with a screwdriver

Fixing block for height adjustable leg Korrekt

**Fixing block
screw-on version**
black plastic



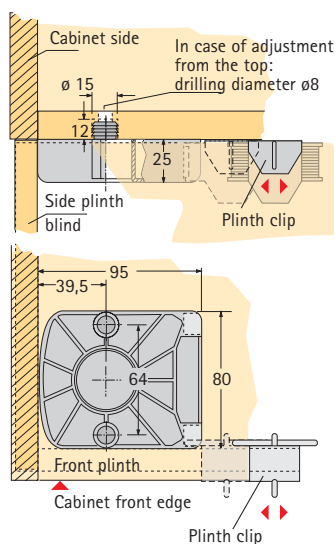
**Fixing block
with 4 knock-in sockets**
black plastic



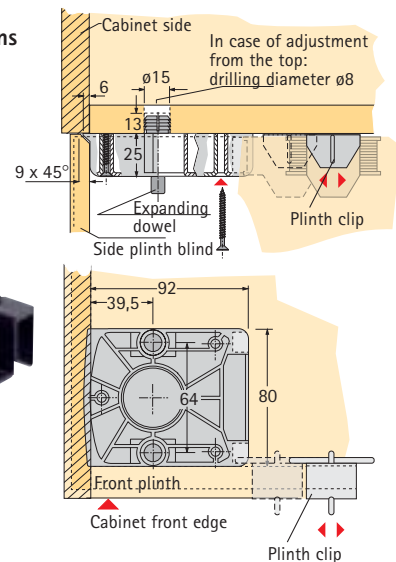
Article	Order no.	PU
Fixing block, screw-on version	061 854	200

Article	Order no.	PU
Fixing block with 4 knock-in sockets	047 654	40

**Fixing block
with 2 knock-in sockets**
black plastic



**Fixing block
with 2 expanding dowels/pins**
With wide support for
side panel
black plastic



Article	Order no.	PU
Fixing block with 2 knock-in sockets	047 655	40

Article	Order no.	PU
Fixing block with 2 expanding dowels/pins	079 689	40

Height adjustable leg Euro

Load-bearing capacity 990 lbs (450 kg) / each

Height adjustable leg Euro

Perfect in combination with various fixing blocks and plinth clips. Easy to adjust, either manually or by using a screwdriver. Load-bearing capacity 990 lbs (450 kg) / each black plastic



Adapter

Can be used in cases where height extension of 50 mm is required. black plastic

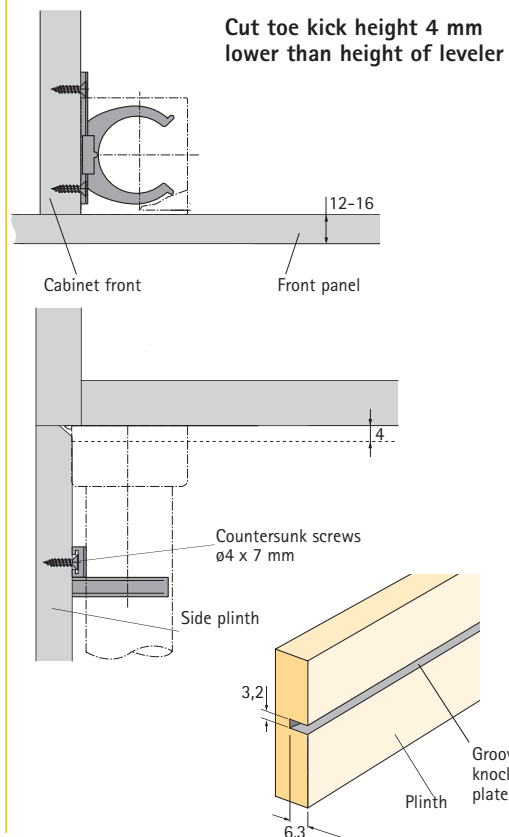
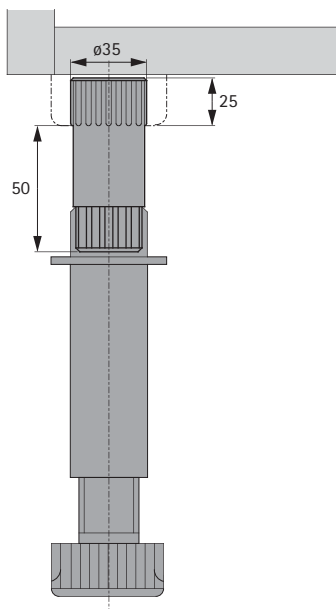
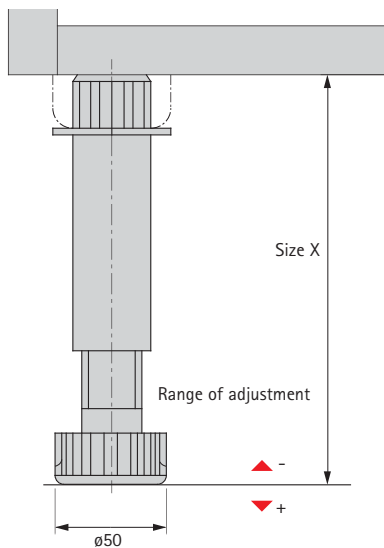


Toe Kick Support

black / white plastic



Size X	Range of adjustment	Order no.	PU	Article	Order no.	PU	Article	Order no.	PU
100 mm	- 5/+23 mm	902 843 900	200	Adapter	071 844	40	① Clip	902 186 400	2000
150 mm	-15/+13 mm	999 000 687	100				② Knock-in plate	902 204 500	2000

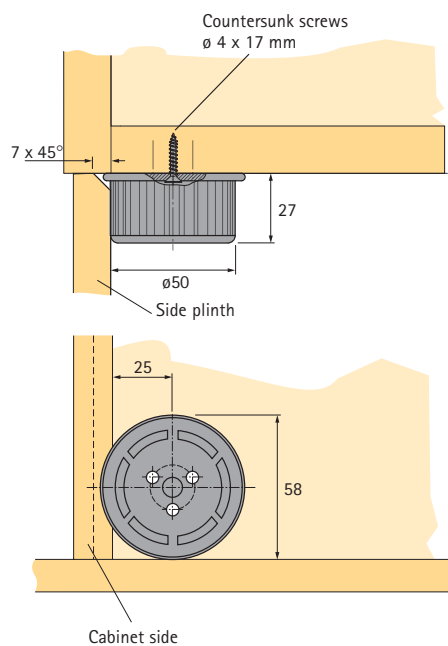


Fixing block for height adjustable leg Euro

Fixing block, screw-on version
black plastic



Article	Order no.	PU
Fixing block, screw-on version	071 847	40



Fixing block, knock-in version
for hole diameter 25 mm
black plastic



Article	Order no.	PU
Fixing block, knock-in version	073 510	40

