

Connecting screws VHS 32

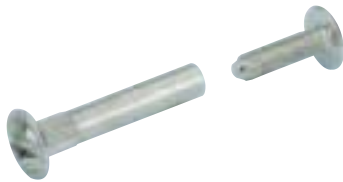
Connecting angle

Connecting screws VHS 32

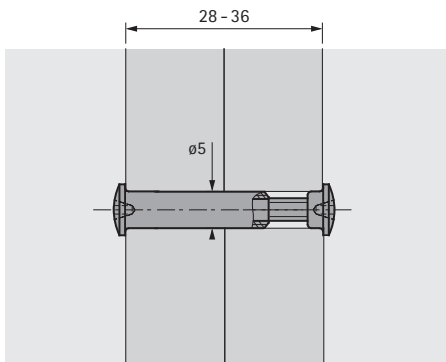
Carcase connector for extra strength.
For 5 mm dia. drilling.

The connecting sleeves are 27 mm long.
The threaded sleeve is set back to facilitate screwing
in the connector screw.

Screw M4 x 15 mm, nickel-plated steel
Connecting sleeve, nickel-plated steel



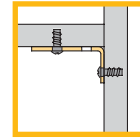
| Article | Wood thickness | Order no. | PU |
|-----------|----------------|-----------|------|
| VHS 32/27 | 28 – 36 mm | 1 054 519 | 2000 |



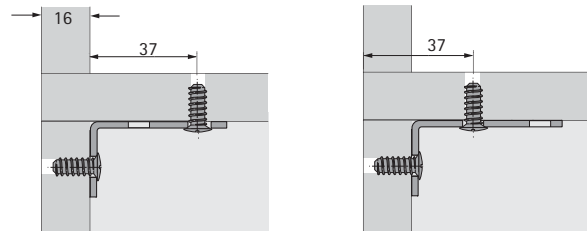
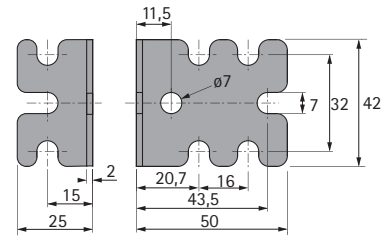
Connecting angle for 32 mm hole lines

Can be used universally as a connecting fitting for carcase panels, back panels and drawer fronts.

chrome-plated or plastic coated steel



| Article | Finish | Order no. | PU |
|---------------------------|---------------|-----------|-----|
| Connecting angle 32 mm | chrome-plated | 1 006 734 | 250 |
| | white | 1 007 206 | 250 |



Euro screw

for 5 mm diameter drilled holes, nickel-plated steel
EN-Pozidriv pan head screw



| Article | Length | Order no. | PU |
|------------|-------------|-----------|------|
| Euro screw | 6,3 x 13 mm | 1 005 194 | 1000 |