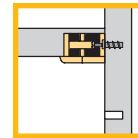


Connecting fitting VB 135 for shelves



Connecting fitting VB 135

The connecting fitting VB 135 is pressed into a 20 mm dia. hole.

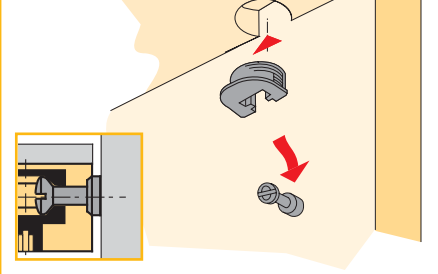
The panel can only be inserted from above.

The panel with the VB 135 is merely pressed on to the dowel. Via the wedge effect, the shelf is tightened on the side and safeguarded against accidental removal.

Can be used with panels from **16 mm upwards**.

**System
32**

Fit shelf in position from above. Mounting aid when hanging shelves.

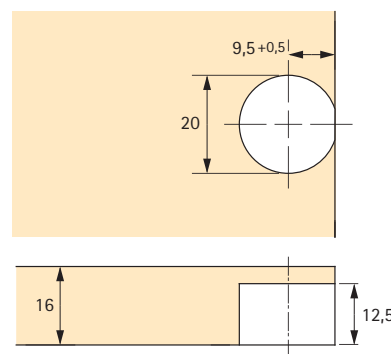


Connecting fitting VB 135 for panels from 16 mm



Article	Finish	Order no.	PU
VB 135 plastic	white	1 016 559	1000
	brown	073 617	200
	black	079 649	200

Drilling pattern for panels



Dowel centre from underside of panel

