

Folding door hinge with offset pivot Opening angle 180°



Double cup hinge with adjustable offset pivot

Opening angle 180°

Pivot offset adjustment in steps of 0 mm, 3 mm and 6 mm.

The reveal is adjustable from hairline to +4 mm.

The mounting is always flush.

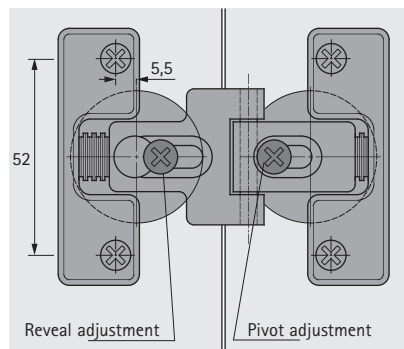
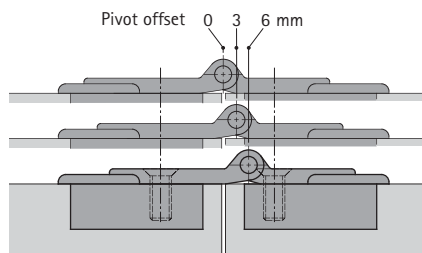
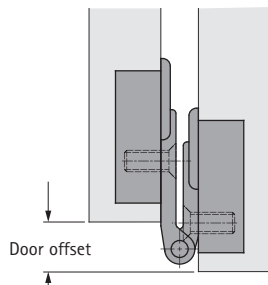
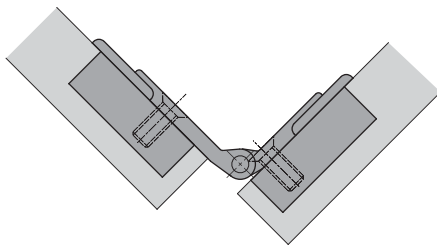
Identical hole pattern for both doors, hinge parts are mounted separately.

Nickel-plated die-cast zinc

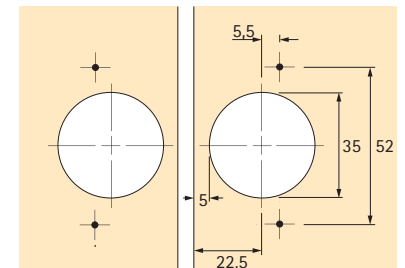


Article	Order no.	PU
Folding door hinge	1 030 883	100

Mounting example



Hole pattern screw on



Fixing countersunk screw
ø 3,5 x 16 mm, nickel-plated, for Cup T 42,
order no. 071 925, PU 200

Example:
For 3 mm reveal:

Pivot offset	Door offset
0 mm	0 mm
3 mm	6 mm
6 mm	12 mm